



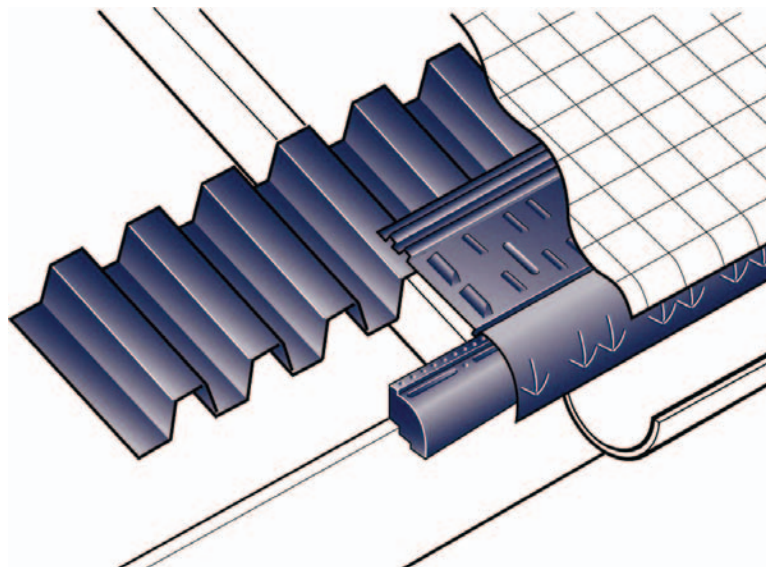
3 in 1 Ventilator Pack with Universal Over Fascia Ventilator

The most simple and cost effective method of providing a complete ventilation and underlay support system that will not deteriorate, giving additional protection to the fascia detail of most roof types.

A unique feature of this system is the unique Universal Over Fascia Ventilator with two fixing positions that is adaptable to suit both 10mm and 25mm airflows.

Installation of the HD 3025VP Vent Pack is straightforward. The Over Fascia Ventilator is fitted to the top edge of the fascia board, in either of the two stepped positions, to suit the required level of airflow and the Roll Panel and Underlay Support Tray are then installed.

The Underlay Support Tray is placed on top of the Over Fascia Ventilator. This will make it much easier to locate alternative nail holes if an Eaves Comb Filler is not to be fitted. It is then nailed at the top edge of the tray through the Roll Vent and into the rafter. Consecutive trays are lapped by 50mm using the raised locators formed into the tray sides. The Underlay Support Tray forms the drip into the gutter.

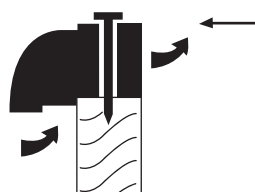


The above illustration shows the 3 in 1 Vent Pack in a typical standard detailing. For lower roof pitches with thicker quilting (e.g. 200mm insulation) the HD 5000 Roll Panel Vent should be positioned to suit the thickness of the insulation ensuring a clear airway is maintained.

Fixing Positions for 10mm and 25mm Airflows

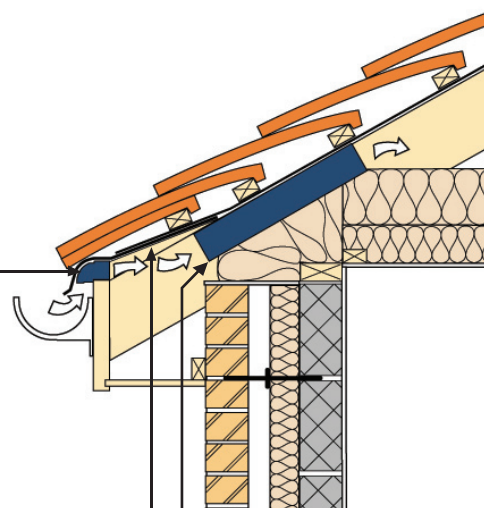
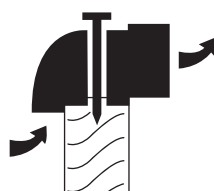
HD 12000U Universal
Over Fascia Ventilator

**25mm
Airflow Position A**



HD 12000U Universal
Over Fascia Ventilator

**10mm
Airflow Position B**



HD 5000 Roll Panel Ventilator

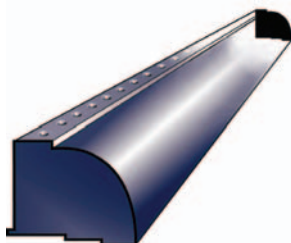
HD 3000 Underlay Support Tray





3 in 1 Ventilator Pack with Universal Over Fascia Ventilator

HD 12000U Over Fascia Vent



USE: To provide a through-flow of ventilating air over the fascia board in both new build and refurbishment details. *Positioning of fascia board will dictate angle of sprocket at eaves - in some cases may require trimming or re-positioning.

ADVANTAGES: Unique two stepped fixing positions to allow for fixing on roof pitches above and below 15°. Fixing position A (shown overleaf) allows the through-flow of air to 25mm² per metre, equivalent to pitches below 15°. Fixing position B (shown overleaf) allows the through-flow of air to 10mm² per metre, equivalent to pitches above 15°. Reinforced nailing guides ensure accurate fixing into the fascia board reducing splitting due to nailing at an angle. Rounded front section prevents blocking of airflow by the overlapping underlay if used as an individual product fix. Ancillary nailing points and slots are provided for additional fixing of eaves comb filler or tiles requiring clipping at eaves. Standard flyscreen conforms to regulation requirements.

USE WITH: HDL range of rafter trays.

AIRFLOWS:
25,000mm² at position A per metre run.
10,000mm² at position B per metre run.

MATERIAL: High quality injection grade polypropylene.

COLOUR: Black.

HD 5000 Roll Panel Vent



USE: To provide a space between the roof underlay and loft insulation, allowing the through-flow of air from eaves to eaves - suitable for roof pitches of 15 ° and above - and below 15 ° of pitch to flat roof detailing. The Roll Vent is fitted at the point of contact between insulation and underslaters underlay, removing the need for extra extension packs.

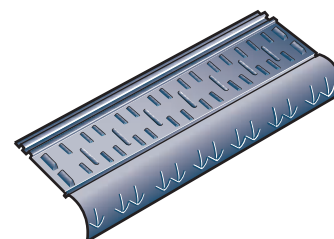
ADVANTAGES: Universal rafter centre fitting - 600, 450 and 400mm centres. Large channels ensure high levels of through-flow. Suitable for 10,000mm² and 25mm² per metre regulation requirements. Also use with the HDL range of soffit ventilators to achieve full eaves to eaves airflow.

AIRFLOW:
Minimum = 25,000mm²
Maximum = 50,000mm²

MATERIAL: Lightweight rigid PVC

COLOUR: Black

HD 3000 Underlay Support Tray



USE: The Underlay Support Tray is placed on top of the Over Fascia Ventilator allowing the curved drip section to fall into the gutter. The 'hinge' mechanism in the tray accommodates varying roof pitches and allows the support section to be nailed at its top edge into the rafter - thus forming the underlay support. Consecutive trays are lapped using the raised clip locators forming a secure overlap between rafter centres.

ADVANTAGES: Hinged drip section to accommodate various roof pitches thereby reducing panel distortion. Secure clip-together mechanism for universal rafter spacing. Full 6m coverage per pack in the HD 3000 Vent Pack System. Improved rainwater drip to fit with unique HD 12000U Over Fascia Vent.

MATERIAL: Rigid PVC

COLOUR: Black

HD 12000U -

Dimensions in millimetres

